

NL Premier Keypad LOCK PI20•Nx Installation

FEATURES

- Battery: Accessible via a sliding door at the keypad base
- Finishes: Black Velvet or Bright Chrome (ABS), Satin Chrome (metal)
- Enhanced Visibility: Built-in LED lights for use in low-light conditions



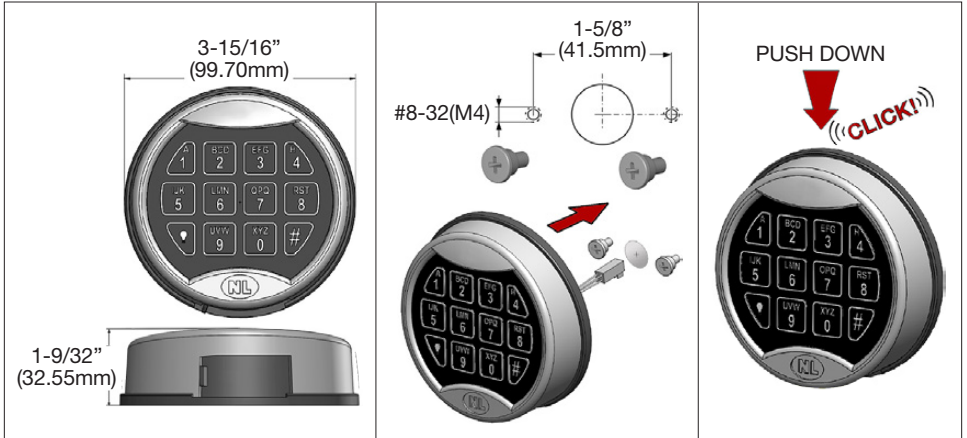
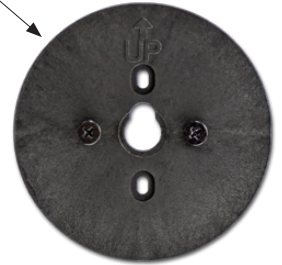
DIMENSIONS / MOUNTING INSTRUCTIONS

- Cable hole diameter: 3/8" (.953mm) minimum
- The hole must be properly deburred to avoid cable damage
- The PI20 mounts on horizontal (9 & 3 o'clock) studs, optional *MA2 adapter plate* required for vertical safe door mounting holes

- Affix the two #8-32 (or M4) mounting studs to the safe door
- Open the battery door and extend the battery connector cable out through the door
- Feed the keypad connector cable through the spindle hole in the safe door, then slide the keypad over the #8-32 (or M4) mounting studs and push down until it snaps on with a distinct "click"

- Attach 9v battery to connector
- Insert battery into keypad and slide the door closed.

Use **ONLY Energizer or Duracell ALKALINE batteries.**



PI20•Nx

- Works With:**
- EM20** Large RotoBolt
 - EM30** MotorDrive Lock
 - UR20** Universal RotoBolt



To install Premier Keypad with Rotating Adapter Kit SEE:

PI20•Rx Installation



To view our full line of products, Warranty and other Instruction Manuals

