

# SIMPLE MECHANICAL KITLOCK



Introducing the KitLock KL10. Designed with simplicity in mind, the KL10 offers mechanical keyless access suitable for a variety of lockers, cabinets and cupboards.

A durable, compact, easy to use mechanical lock. Designed to be both retrofitted or installed on new cabinets. Changing or resetting the code can be completed easily whilst the lock is still on the door, or if the code has been forgotten it can be retrieved using the master key.



Easy to  
install



Mechanical  
keyless access



One year  
guarantee\*



Private and  
Public Functions

## FEATURES

- Easy to install and retrofit
- Locked and unlocked indicators
- 4 wheel code combination
- Up to 10,000 unique combinations
- Black powder coated finish
- Private and Public Function
- Easy grip outer casing
- Code retrieval function
- Master key available
- Suitable for internal use only

## FUNCTIONS



### Private Function

The KL10 Private Function is ideal for use where the same, personal 4 digit code will be repeatedly used, e.g. an employee with the same locker/drawer in the workplace.



### Public Function

The KL10 Public Function is ideal for short term, multiple occupancy applications. The user enters a personal four digit code, this locks the lock. The same code is entered once only to open the lock, the lock remains open ready for the next user.



### Code Retrieval

This function requires the Master Key (sold separately). Allows a code to be retrieved should it be forgotten or emergency access is required.

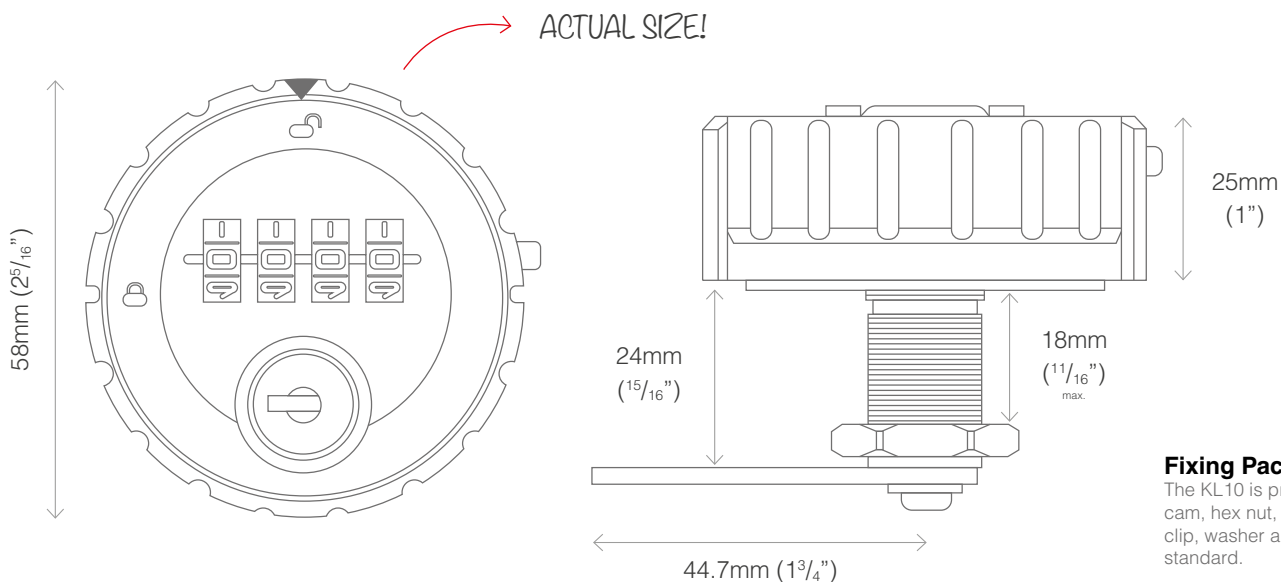


## TECHNICAL SPECIFICATIONS

FEATURE	DESCRIPTION
Functions	Private or Public Function
Housing	Zinc Alloy
Code Length	4 digit
Code Storage	Single code
Suitable For	Internal applications only
Spindle Length	Fixed spindle suitable up to 18mm (11/16") thick
Handing	Non-handed
Door Prep	19mm (3/4") diameter
Indicators	Locked / unlocked
Fixings	Nut supplied - additional washer / clip available separately
Cam	44.7mm (1 3/4") straight cam and 50mm (2") crank cam supplied with retail boxed product

Note: Not suitable for Chlorine environments.

## PRODUCT DIMENSIONS



### Fixing Pack

The KL10 is provided with a straight cam, hex nut, cranked cam, metal clip, washer and three screws as standard.



Scan to shop!

[www.kitlock.com](http://www.kitlock.com)

